



**Real Property Services (RPS)  
Workplace Solutions (WP Sol)  
In Collaboration with the  
Acquisitions Branch (AB) –  
Furniture Division**

**Lisa Maidens, Real Property Services  
Charles Choo, Real Property Services**

**Alex Cassol – Acquisition Branch  
Chantal Clouthier, Acquisition Branch**

Date: October 2018



# Agenda

---

- **Refresh of Workspaces products for 2019**
- **New Products included in Refresh**
- **Furniture Lessons Learned and Best Practices**
- **Phone Booths**
- **Desk Top sit/ Stand Units**
- **CORCAN**
- **Other Special Initiatives Documents and Specs**

## SA - CATs 1- 6 Workspaces Refresh

---

- Refresh will be posted in new calendar year
- **Current Status: Suppliers reviewing the new specifications and formulating their bids for submission.**

**\*Links to the new Refresh specifications: GC DOCS :**

**ENG-Annex A 1-1\_CAT 1-6-July 18.docx**

**<https://gcdocs.gc.ca/tps-gc-pwgsc/lisapi.dll/link/144222723>**

**FR\_ Annex A 1-1\_CAT 1-6-July 18.docx**

**<https://gcdocs.gc.ca/tps-gc-pwgsc/lisapi.dll/link/144218707>**

- **New Products specified on the Refresh SA are as Follows:**

## CAT 1B & 2 – New products



Sit-Stand Benching



120 Degree Work surfaces Fixed and Sit-Stand

# CAT 3 – New products

---

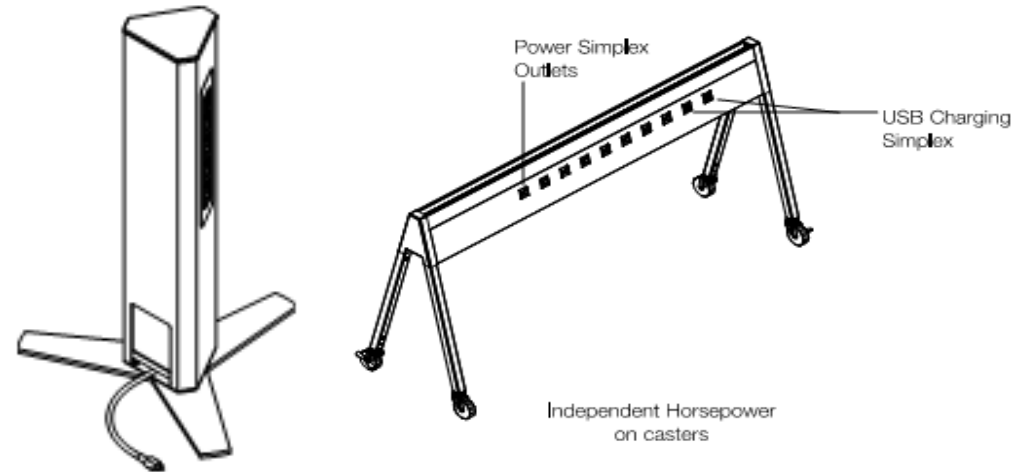


Lockers and Cubbies- Keyed or Keyless locks

## CAT 5 – New products

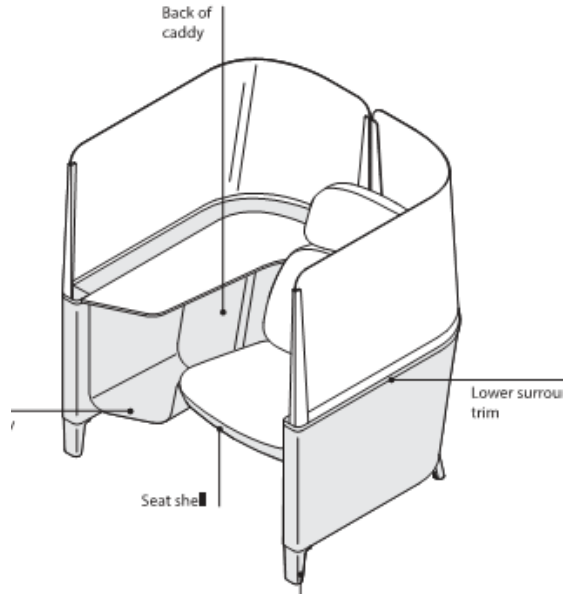


Clip-on Power Modules



Elevated mobile power module

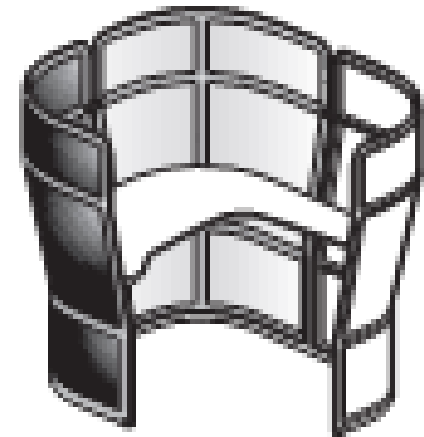
# CAT 6 – New products



Individual private lounge chair



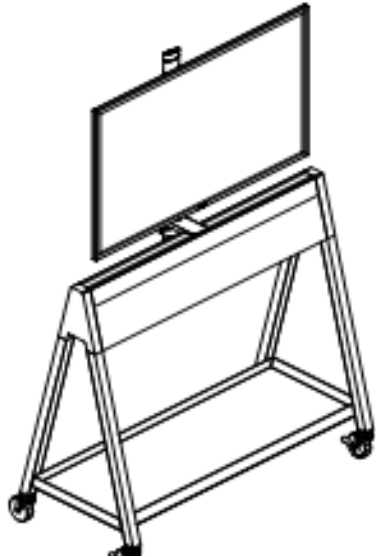
Group work pods



Individual work pods

## CAT 6 – New products

---



Mobile monitor mount



Slim table



Upholstered ottoman



# CAT 6 – New products



Video conference table



Kitchen island table



Counter height table

## CAT 6 – New products

---



Bar stools



Upholstered stools



Multimedia tables – height adjustable multimedia tables

# CAT 6 – New products



Lounge height meeting table



Lounge screens

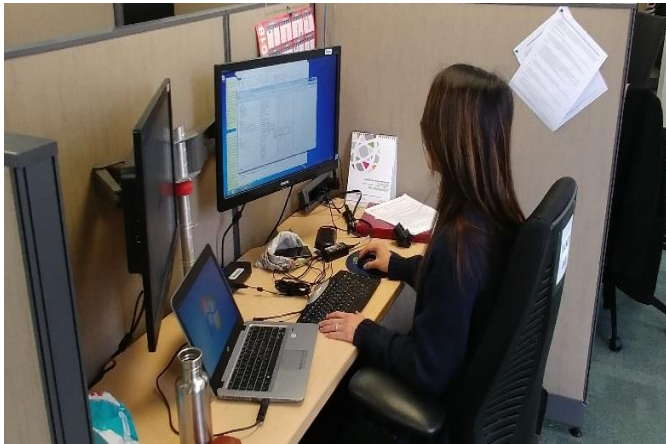


Modular benching and side table unit - rectilinear



Modular benching and side table unit - curvilinear

# Lessons Learned with furniture last FY



24" primary work surfaces does not offer sufficient space to work and does not allow for a proper ergonomic distance between the employee's eyes and the monitor, when using the keyboard. The dual monitors are too far apart and is not an ergonomic viewing distance.



The Frosted Add-on is not a good design solution behind a monitor arm. There has been some broken when people adjust their monitor(s).

Please ensure as when installed there is a min. of 1" gap around all sides. There have been reports of pinched fingers.



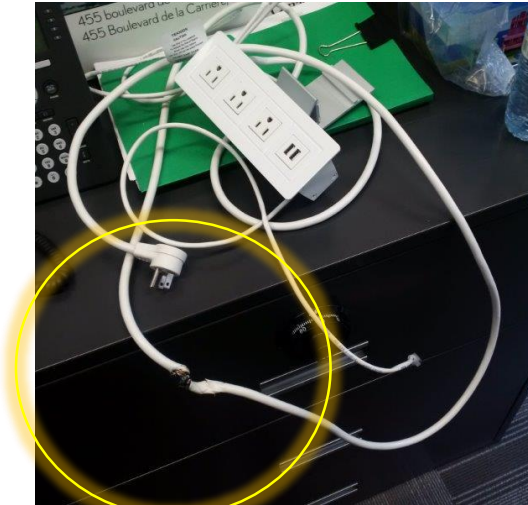
Monitor Arms over hang panel or privacy screens and when HAT is lowered the monitor arms hit the panel.

In a seated position, the adjacent panel behind the screens did not permit enough extension of the arms to be far enough away from the user.

# Lessons Learned with furniture last FY- Wire management



**Don't:** have loose wires and cables hanging.



Wires were being pinched and there is a risk of fire.



**Do:** Ensure proper wire management is installed under the desk and to your power source. Also ensure there is proper slack in the wires to allow for the Sit/Stand desk to reach its lower and higher adjustability limits.

# Best Practices and Guideline for Furniture

## Height Adjustable Tables (HAT):

- The current SA specification for sit/ stand work surfaces does not allow the HAT desks to go low enough to meet an ergonomic recommended level of comfort. The Technical Authority on Furniture is recommending using the new refresh specification through an RFP process for future purchases as an operational requirement.
- A 25mm (1”) pinch factor must be considered for the installation of HAT desks and clearance around all sides. It’s not recommended to ‘box’ in the desk with panels.
- Flex wire management should be specified.
- Power Modules recommended at desk height for ease of access.
- Keyboard trays are not recommended to be mounted on HAT desks. If a keyboard tray is required for an operational need, there could be a mounting issue with the crossbars on certain HAT. It should be the responsibility of the keyboard tray supplier to provide the brackets or any additional hardware for installation.
- Clip-on privacy screens with acoustic properties in lieu of a full systems panel is recommended with HAT desk. Note: Acoustic Companies that have clip-on screens: OCEE Design, ezoBord, Buzzi Space, ErgoWorld.



## Furniture Best Practices Continued...

---

### Work Surfaces:

- Recommended to have a clip on power module to primary free-standing work surfaces for ease of access.
- The primary work surface with monitor arms are recommended to be 30” deep to allow for a proper monitor viewing distance. If 24” deep surfaces are the preferred solution, keyboard trays would be recommended, but verify the mounting plate for the keyboard tray will fit a 24” depth.



### Dual Monitor Arms :

- Dual monitor arms are recommended to be mounted to 30” deep work surfaces for a proper ergonomic viewing distance for the user.
- The Technical Authority is recommending using the new Dual Monitor Arm specification in the Refresh Specification.
- Recommended to not have glass privacy screens where monitor arms are mounted- in the event of cracking or breaking glass with elbow of monitor arm.

## Furniture Best Practices Continued...

---

### Keyless Storage:

- Keyless Storage is recommend in unassigned spaces for items such as lockers, shared file cabinets, credenzas and storage towers.
- There are a variety of battery types for all the various electronic keyless units. Units may have disposable alkaline, lithium, 9-volt, etc... that would require replacement every 9 – 12 months and should be factored into O & M for facilities management. Some units have rechargeable batteries that will require a USB charger (not included with purchase of storage units).



### Benching :

- The current SA specification for Benching does not indicate the requirement for a central spine and trough for power and data pathways. In the meantime, when ordering Benching Tables, keep in mind that you can implement the 20% upgrade rule to ensure that the supplier includes a central spline in the order.
- Monitor arms should be grommet mounted on a height adjustable benching system since the clamp-on type have been found to impede with the central spline



# Phone Booths

There is no specific requirements within the National Building Code of Canada (NBCC) for furnishings such as the Phone Booth.

If the size is (< 4 feet or < 1.2 m) it would not require a sprinkler. Sprinklers may be required for larger installations and other requirements may also be applicable.

The Framery Booth would not be permitted to be used for anything other than a quiet space for a telephone conversation, i.e. no added combustible loading stored within the Booth. The acoustics of the Booth may be such that **additional fire alarm audible signaling appliances and visual signaling appliances would be required to ensure that a person within the Framery Booth is aware of a fire alarm condition** (minimum 65 dBA as per NBCC 3.2.4.18.(6)).

It is also noted that there are various sizes of these products so it's important to understand the requirements and costs when specifying.

\*Info provided by PSPC's Fire Protection Engineer



*Snapcab*



*Framery*



*Loop*

# Desk Top Sit/Stand Units

As the Technical Authority we are not supporting the desk top sit/stand units for the following reasons:

- These units are not supported by our Health and Safety Division because they represent a great risk to the employee's safety since there is no standard assurance for their strength and stability (as there is for work surfaces).
- They are considered a band-aid solution and for the price difference, we would encourage clients to purchase a proper sit-stand desk that is more sustainable.
- These desktop styles provide the user a limited amount of functional space with the platform.
- Cost is not much different than a HAT – thus HAT would be a better investment in the long term.



# CSC – Corcan Products

Reminder that CORCAN has the ability to manufacture custom products.

Federal departments and agencies can acquire from CORCAN without following regular tendering/contracting processes.

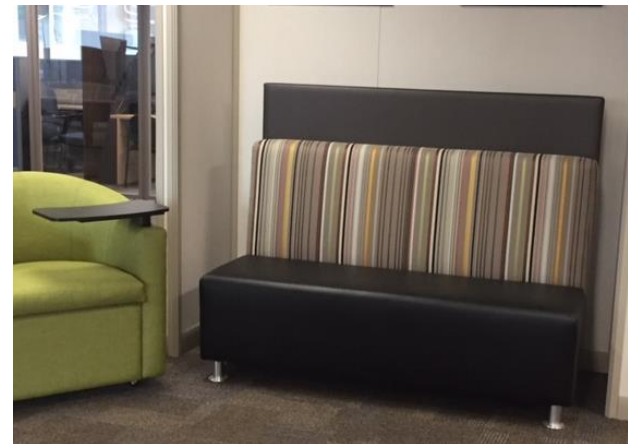
Web-Link: <http://www.csc-scc.gc.ca/corcan-catalogue/002009-01-eng.shtml/>



*Meeting Table*



*Smartpods*



*Banquette seating*

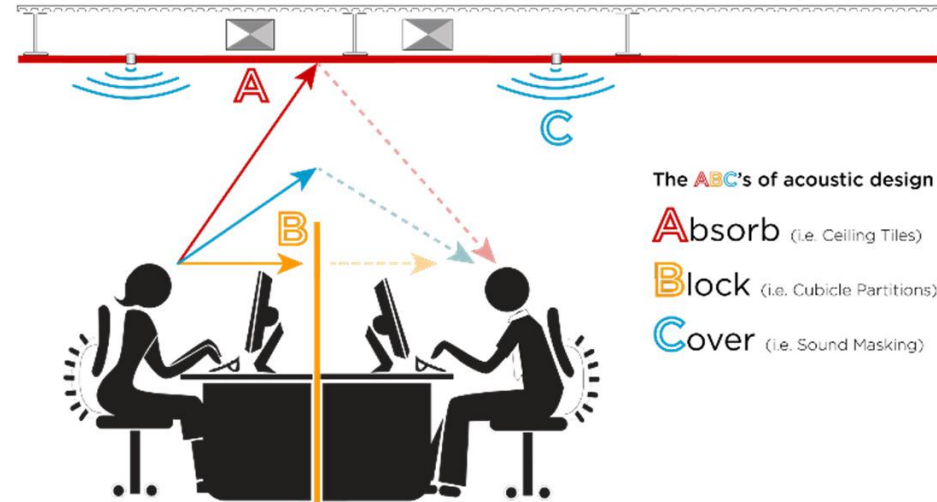
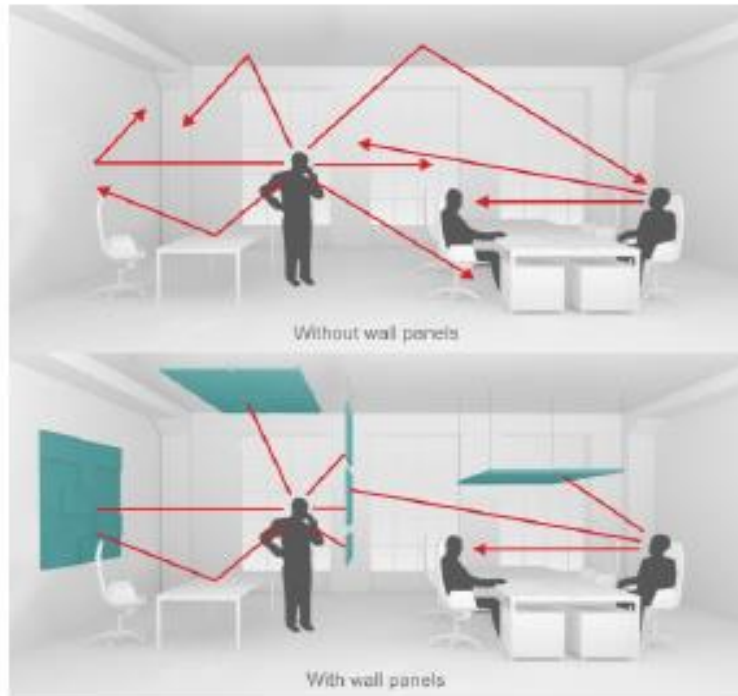


*Lockers*

# Acoustic Document and Specifications

## 5.4.1 INNOVATIVE SOLUTIONS

Acoustics in an office space is the key element that relates to productivity, comfort level and sense of security for employees. Acoustical products have been created to solve all kinds of speech privacy concerns and reduce noise, as well as, the implementation of acoustical panels of all shapes and sizes. As shown in Figure 4, the top image demonstrates how sound travels and bounces throughout the room. The image below demonstrates how the sound is contained within the space with the use of panels which are displayed in blue.



\*Links to documents and specs can be obtained via: Lisa @ [lisa.maidens@tpsgc-pwgsc.gc.ca](mailto:lisa.maidens@tpsgc-pwgsc.gc.ca)

# Architectural Walls and Specifications

## UNITIZED

### Generic Description

Unitized system products, also known as Removable Wall Systems, are non-progressive, movable, and reconfigurable. This type of wall system is usually shipped and delivered in one complete "unit" with the glass and frame. Electrical, communication, and security requirements are pre-fabricated off-site and delivered to the site for installation. The product can be removed, relocated, and reinstalled in different layouts with all parts reusable. Haworth Enclosed, Steelcase V.I.A., Trendway Trendwall and Allsteel Beyond are various types of unitized system products.



Haworth Enclosed

### Document contains:

- Types of Walls Systems
- STC Ratings
- Materials
- Costs of Arch Walls vs Conventional Construction
- Sustainability Benefits
- Achieving Leed Credits
- Reconfiguring,
- Impacts to Project schedules
- Etc..

\*Links to documents and specs can be obtained via: Lisa @ [lisa.maidens@tpsgc-pwgsc.gc.ca](mailto:lisa.maidens@tpsgc-pwgsc.gc.ca)